

Optional:

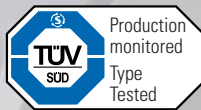


single-position
multi-position
load holding
full disengagement



Pulley not included.

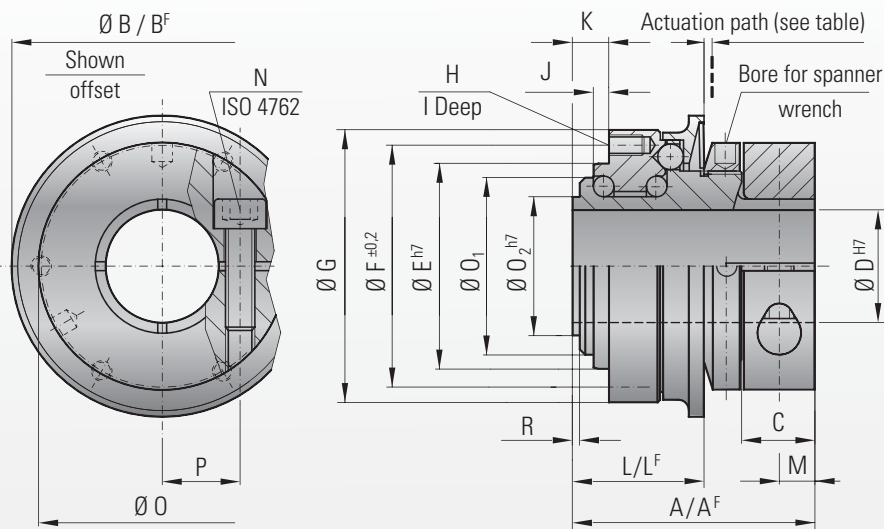
MODEL SKN



BACKLASH FREE TORQUE LIMITER

with clamping hub

Series 15 - 1500



Material:

Torque limiting portion: high-strength, hardened steel
Clamping hub: up to size 500, aluminum;
size 800 and up, steel

Design:

With clamping hub and 1 radial screw ISO 4762
Absolutely backlash free through frictional
clamping connection

Temperature range:

-30 to +120° C

Service life:

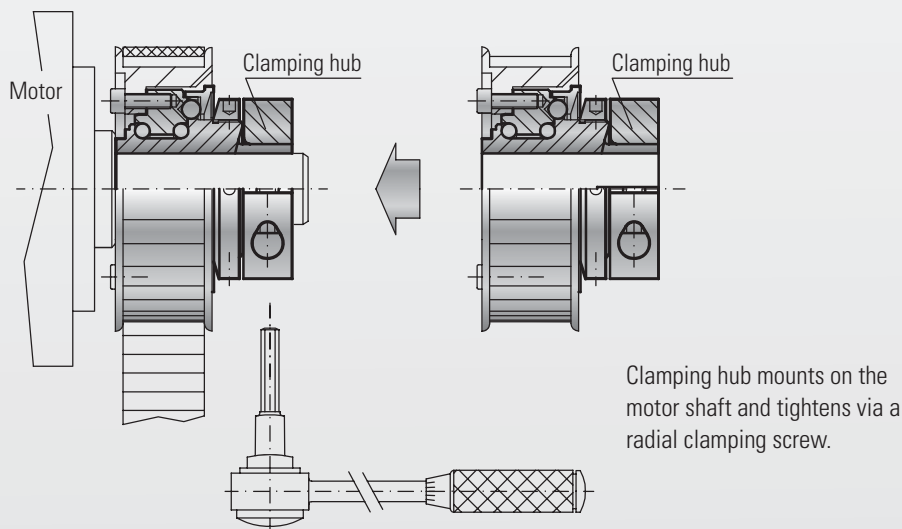
Maintenance free when operated within the
technical specifications

Fit tolerance:

Tolerance between hub and shaft 0.01 - 0.05 mm

**Optional sealed version for food-grade
applications (see page 26)**

Easy mounting and dismounting



Clamping hub mounts on the
motor shaft and tightens via a
radial clamping screw.

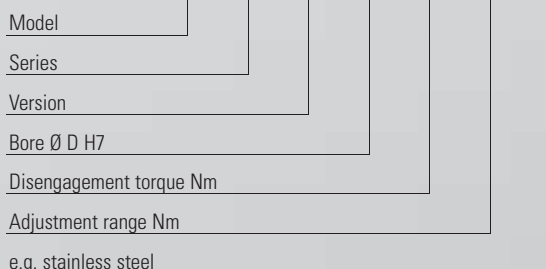
Optional ATEX

**Certified under the ATEX 95a directive for
the hazardous zones 1/21 and 2/22**



Ordering specifications

SKN / 60 / W / 20 / 60/25-80 / xx

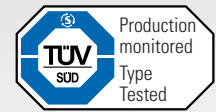


All data is subject to change without notice.

Possible versions

- W = Single-position engagement
- D = Multi-position engagement
- G = Load holding
- F = Full disengagement

**For the maximum permissible radial
load capacity for all SKN models,
see installation instructions on page 22/23**



MODEL SKN										
		15	30	60	150	200	300	500	800	1500
Adjustment range available from - to (approx. values) (Nm)	T_{KN}	5-10 or 8-20	10-25 or 20-40	10-30 or 25-80	20-70 45-150 80-180	30-90 60-160 120-240	100-200 150-240 200-320	80-200 200-350 300-500	400-650 500-800 600-850	600-800 700-1200 1000-1800
Adjustment range available from - to (approx. values) ("F" Version) (Nm)	T_{KN}	7-15	8-20 or 16-30	10-30 20-40 30-60	20-60 40-80 80-150	80-140 or 130-200	120-180 or 160-300	50-150 100-300 250-500	200-400 or 450-800	1000-1250 or 1250-1500
Overall length (mm)	A	47	59	65	71	80	84	101	115	145
Overall length ("F" Version) (mm)	A ^F	47	59	65	73	83	87	107	126	160
Actuation ring Ø (mm)	B	55	65	73	92	99	120	135	152	174
Actuation ring Ø ("F" Version) (mm)	B ^F	62	70	83	98	117	132	155	177	187
Clamping fit length (mm)	C	13.5	16	20	23	26	26	30	35	46
Inside diameter from Ø to Ø H7 (mm)	D	12-22	14-25.4	16-32	19-40	24-44	30-56	35-60	40-62	50-72
Inside diameter from Ø to Ø H7 with keyway (mm)	D	8-19	12-22	12-30	15-36	20-44	25-50	25-58	30-56	35-65
Pilot diameter h7 (mm)	E	40	47	55	68	75	82	90	100	125
Bolt-hole circle diameter ± 0.2 (mm)	F	47	54	63	78	85	98	110	120	148
Flange outside diameter -0.2 (mm)	G	53	63	72	87	98	112	128	140	165
Thread	H	6xM4	6xM5	6xM5	6xM6	6xM6	6xM8	6xM8	6xM10	6xM12
Thread depth (mm)	I	6	8	9	10	10	10	12	15	16
Centering length -0.2 (mm)	J	3	5	5	5	5	6	9	10	13.5
Distance (mm)	K	8	11	11	12	12	15	21	19	25
Distance (mm)	L	27	35	37	39	44	47	59	67	82
Distance ("F" Version) (mm)	L ^F	27	37	39	41.5	47	51.5	62	75	94
Distance (mm)	M	6.5	7.5	9.5	11	13	13	14.5	18	22.5
Screw ISO 4762	N	M5	M6	M8	M10	M12	M12	M14	M16	M20
Tightening torque (Nm)	N	8	15	40	70	120	130	210	270	500
Clamp ring Ø (mm)	O	49	55	67	85	94	110	121	134	157
Diameter (mm)	O ₁	35	42	49	62	67	75	84	91	112
Diameter h7 (mm)	O ₂	27	36	39	50	55	65	72	75	92
Distance between centers (mm)	P	17.5	19	23.5	30	32.5	39	43.5	45	52
Distance (mm)	R	2.5	2.5	2.5	2.5	3	3	4	4	4.5
Moment of inertia (10 ⁻³ kgm ²)	J _{ges}	0.15	0.25	0.50	1.60	2.70	5.20	8.60	20	31.5
Approx. weight (kg)		0.4	0.7	1.0	1.3	2.0	3.0	4.0	5.5	10
Actuation path (mm)		1.5	1.5	1.7	1.9	2.2	2.2	2.2	2.2	3.0

A^F, B^F, L^F = Full disengagement version